

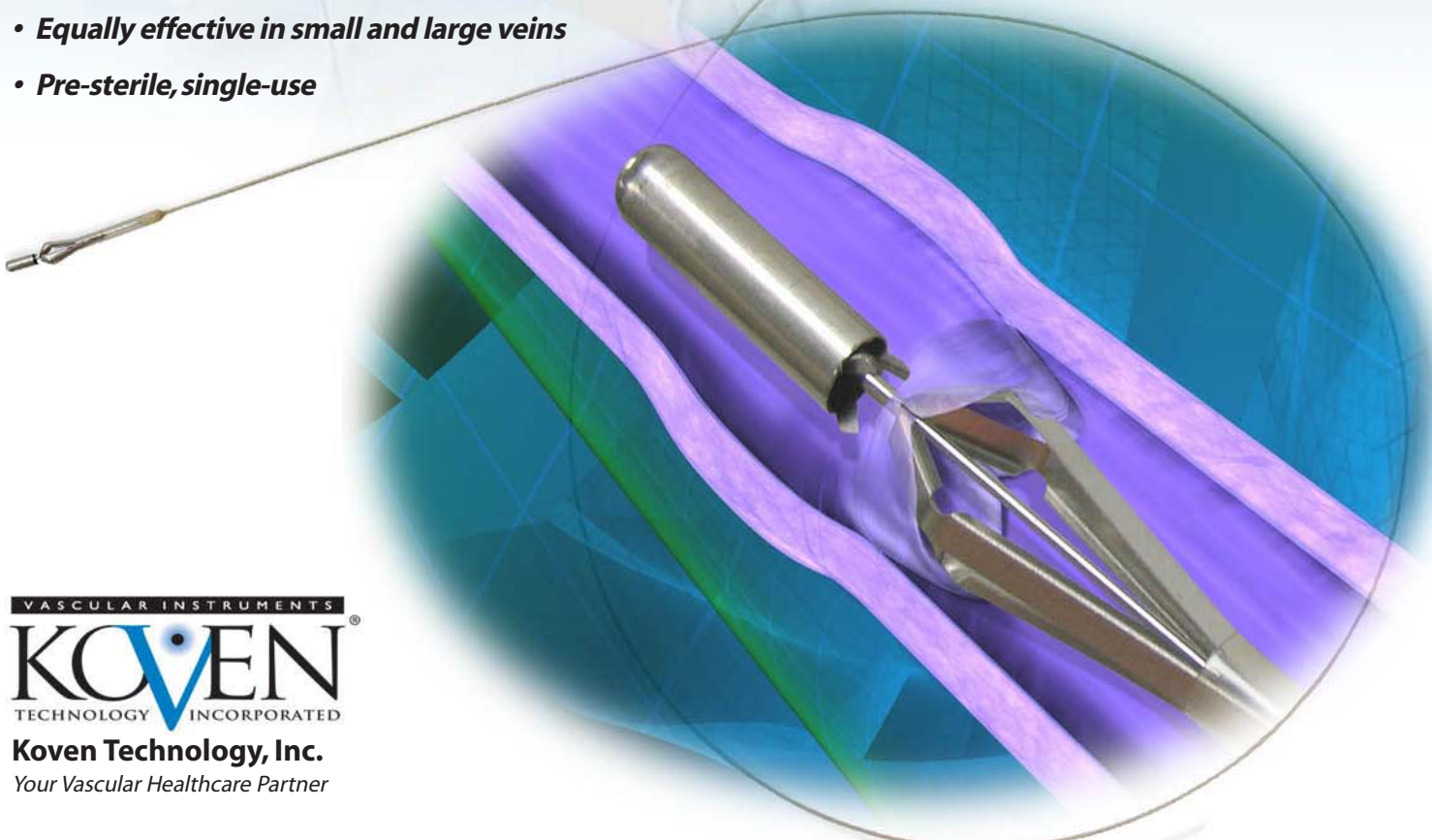
*For Life & Limb*

**BSAVED<sup>®</sup>**  
BY KOVEN

BUCHBINDER SURGEON ADJUSTABLE VALVE EXCISER DEVICE

- *Designed by a Vascular Surgeon to maximize the safety and effectiveness of valvulotomy procedures*
- *Enables the surgeon to maintain control by adjusting the blade diameter while inside the vessel*
- *Ergonomic handle design with single-handed blade release and retrieval*
- *Stationary blade deployment ensures that the cutting head stays in place as the blades are deployed*
- *Blades set into position for precise vein diameter adjustment*
- *Unique design prevents blades from coming in contact with the vein wall*
- *Blades capture valves while in closed position for more effective cutting*
- *Equally effective in small and large veins*
- *Pre-sterile, single-use*

**BSAVED<sup>®</sup> Valvulotome**  
*For In-Situ Bypass Graft Procedures*



VASCULAR INSTRUMENTS  
**KOVEN<sup>®</sup>**  
TECHNOLOGY INCORPORATED  
**Koven Technology, Inc.**  
*Your Vascular Healthcare Partner*

DS-1383

T: 800.521.8342 / 314.542.2101 • F: 314.542.6020 • [info@koven.com](mailto:info@koven.com) • [www.koven.com](http://www.koven.com)

BSAVED is a registered trademark<sup>®</sup> of Koven Technology, Inc., St. Louis, MO

Marketed as the Koven Valvulotome in the USA